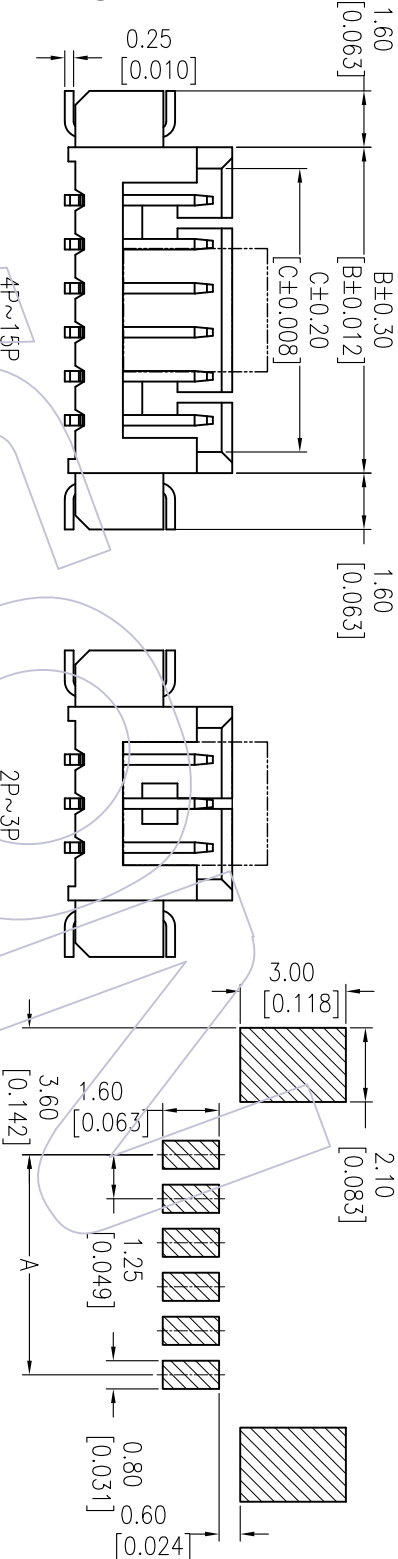


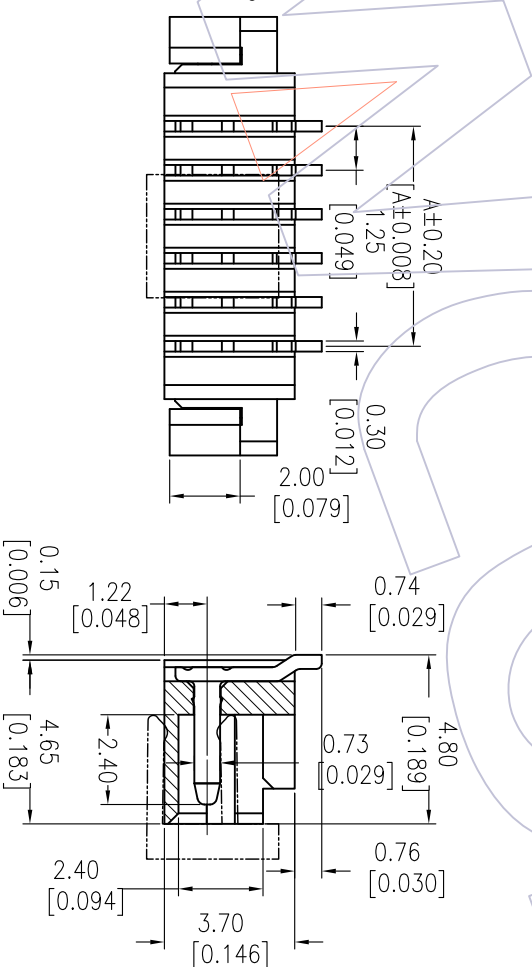
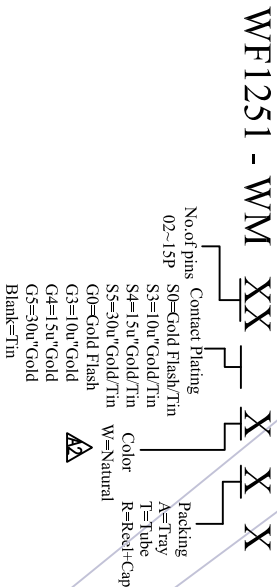
# HSP

**NOTES:**

Rated Voltage:100V AC/DC  
 Rated Current:1.0AMP  
 Contact Resistance:20mΩ max  
 Withstand Voltage:500V AC/DC  
 Insulation Resistance:100MΩ min  
 Operation Temperature:-25°C to +85°C  
 Contact Material:Brass  
 Contact plating:Au Or Sn Over Ni  
 Insulator Material:PA6T+30%G.F UL94V-0



## Ordering Information



### Specification & Ordering Information:

Circuit	Part No.	Dimension			Q'ty /Tube
		A	B	C	
02	WF1251-WM02XXX	1.25	4.25	3.05	75
03	WF1251-WM03XXX	2.50	5.50	4.30	64
04	WF1251-WM04XXX	3.75	6.75	5.55	56
05	WF1251-WM05XXX	5.00	8.00	6.80	50
06	WF1251-WM06XXX	6.25	9.25	8.05	45
07	WF1251-WM07XXX	7.50	10.50	9.30	41
08	WF1251-WM08XXX	8.75	11.75	10.55	37
09	WF1251-WM09XXX	10.00	13.00	11.80	34
10	WF1251-WM10XXX	11.25	14.25	13.05	31
11	WF1251-WM11XXX	12.50	15.50	14.30	30
12	WF1251-WM12XXX	13.75	16.75	15.55	28
13	WF1251-WM13XXX	15.00	18.00	16.80	26
14	WF1251-WM14XXX	16.25	19.25	18.05	25
15	WF1251-WM15XXX	17.50	20.50	19.30	24

# WCON

Http: [www.wcon.com](http://www.wcon.com)

WCON-Dongguan Tel: +86 769 85358920 Fax: +86 769 85358915 E-mail: [sales@wcon.com](mailto:sales@wcon.com)  
 WCON-Kunshan Tel: +86 512 57468408 Fax: +86 512 57468468 E-mail: [sales@wcon.com](mailto:sales@wcon.com)

REV	DATE	MODIFICATION DESCRIPTION	CHANGE	OPERATION	DRAW	DATE	SCALE	FIT	PART NO.
A2	2014/07/11	Modify The Color:W=Natural		X.X	JYHuang	2014/07/11	UNIT	mm	SEE TAB
A1	2014/03/13	Modify The Material:PA9T--PA6T		X.XX	CHECK	DATE	SIZE	A4	TITLE:
AO	2012/08/24	NEW		X.XXX	APPROVE	DATE	SHEET	1/1	"M" TYPE 1.25 Wafer 180° SMT
				Angle	APPROVE	DATE	PROJ.		Customer NO.
				± 3'	DATE				
				DIM	DATE				
				TOL					