

# HSF

**NOTES:**

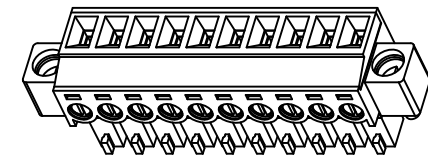
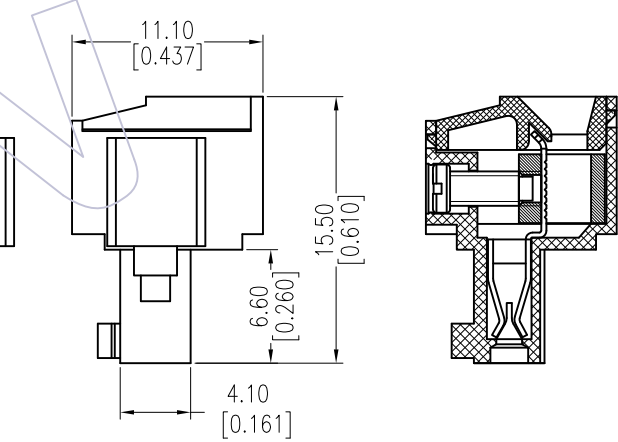
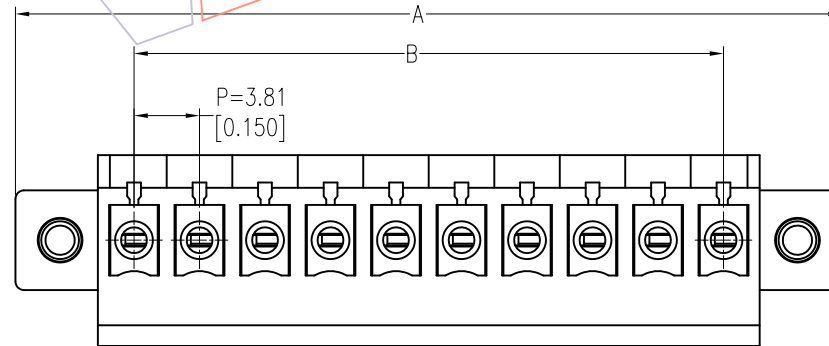
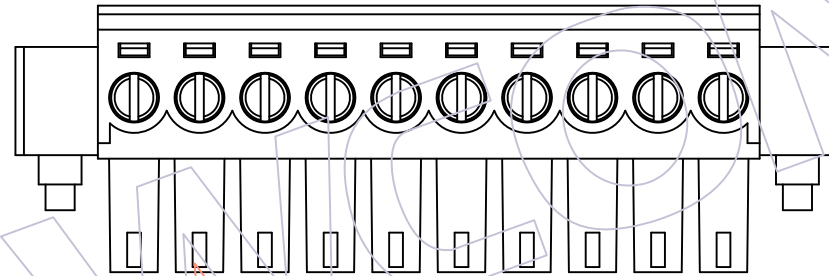
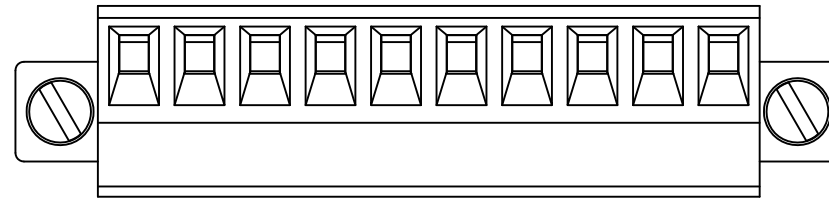
Current Rating:8A  
 Voltage Rating:300V  
 Contact Resistance:8milliohm Max  
 Withstand Voltage:AC2000V  
 Insulation Resistance:1000Megohm Min  
 Screw Torque: 2 lbf.in  
 Wire range: 16-30AWG  
 Operation Temperature:-40°C to +105°C

Housing Material:PA66 UL94V-0  
 Cover Material:PA66 UL94-V0  
 Screw:Steel  
 Pin Block:Brass  
 Contact:Phosphor Bronze  
 Side Screw:Steel

**Ordering Information:**

**P F 381 - C XX A SM W 1**  
 F=Female Pitch 381=3.81  
 No. of Pins 02-20P  
 Color A=Green  
 Contact Plated SM=Matte Tin  
 Type W=With Screw

11P	51.90 ±0.30	38.10 ±0.30			
10P	48.09 ±0.30	34.29 ±0.30	20P	86.19 ±0.40	72.39 ±0.40
9P	44.28 ±0.30	30.48 ±0.30	19P	82.38 ±0.40	68.58 ±0.40
8P	40.47 ±0.20	26.67 ±0.20	18P	78.57 ±0.40	64.77 ±0.40
7P <sup>△</sup>	36.66 ±0.20	22.86 ±0.20	17P	74.76 ±0.40	60.96 ±0.40
6P	32.85 ±0.20	19.05 ±0.20	16P	70.95 ±0.40	57.15 ±0.40
5P	29.04 ±0.20	15.24 ±0.20	15P	67.14 ±0.40	53.34 ±0.40
4P	25.23 ±0.20	11.43 ±0.20	14P	63.33 ±0.30	49.53 ±0.30
3P	21.42 ±0.20	7.62 ±0.20	13P	59.52 ±0.30	45.72 ±0.30
2P	17.61 ±0.20	3.81 ±0.10	12P	55.71 ±0.30	41.91 ±0.30
位数	A	B	位数	A	B



REV	DATE	MODIFICATION DESCRIPTION	CHANGE	OPERATION	DRAW	DATE	SCALE	FIT	PART NO.
A2	2015/07/15	Modify	<sup>△</sup>	X.X ±0.40	Allen	2015/07/15	UNIT mm		PF381-CXXASMW1
A1	2014/04/15	Modify	<sup>△</sup>	X.XX ±0.25	CHECK	DATE	SIZE inch		TITLE: 3.81mm Pitch Female Pluggable Terminal Blocks
A0	2012/05/14	NEW	—	X.XXX ±0.15	APPROVE	DATE	SHEET 1/1		Customer NO.
				Angle ± 3'			PROJ.		
				DIM TOL					

**WCON**  
 Http: www.wcon.com

WCON-Dongguan Tel: +86 769 85358920 Fax: +86 769 85358915 E-mail: sales@wcon.com  
 WCON-Kunshan Tel: +86 512 57468408 Fax: +86 512 57468468 E-mail: salesks@wcon.com